

RICOH

COLOR SERVER FIERY 200i-R1  
AND  
CONTROLLER INTERFACE KIT TYPE B  
PARTS CATALOG

First Edition May 1995

RICOH COMPANY, LTD.

**PARTS CATALOG**

**INTRODUCTION**

This chapter instructs you the numbers and names of parts on this machine and the kit.

**INDEX to PARTS CATALOG**

**FIERY 200i-R1  
CONTROLLER INTERFACE KIT TYPE B (A583)**

COLOR SERVER FIERY 200i-R1  
(A583/A724)

CONTROLLER INTERFACE KIT TYPE B

## **PARTS CATALOG**

### **INTRODUCTION**

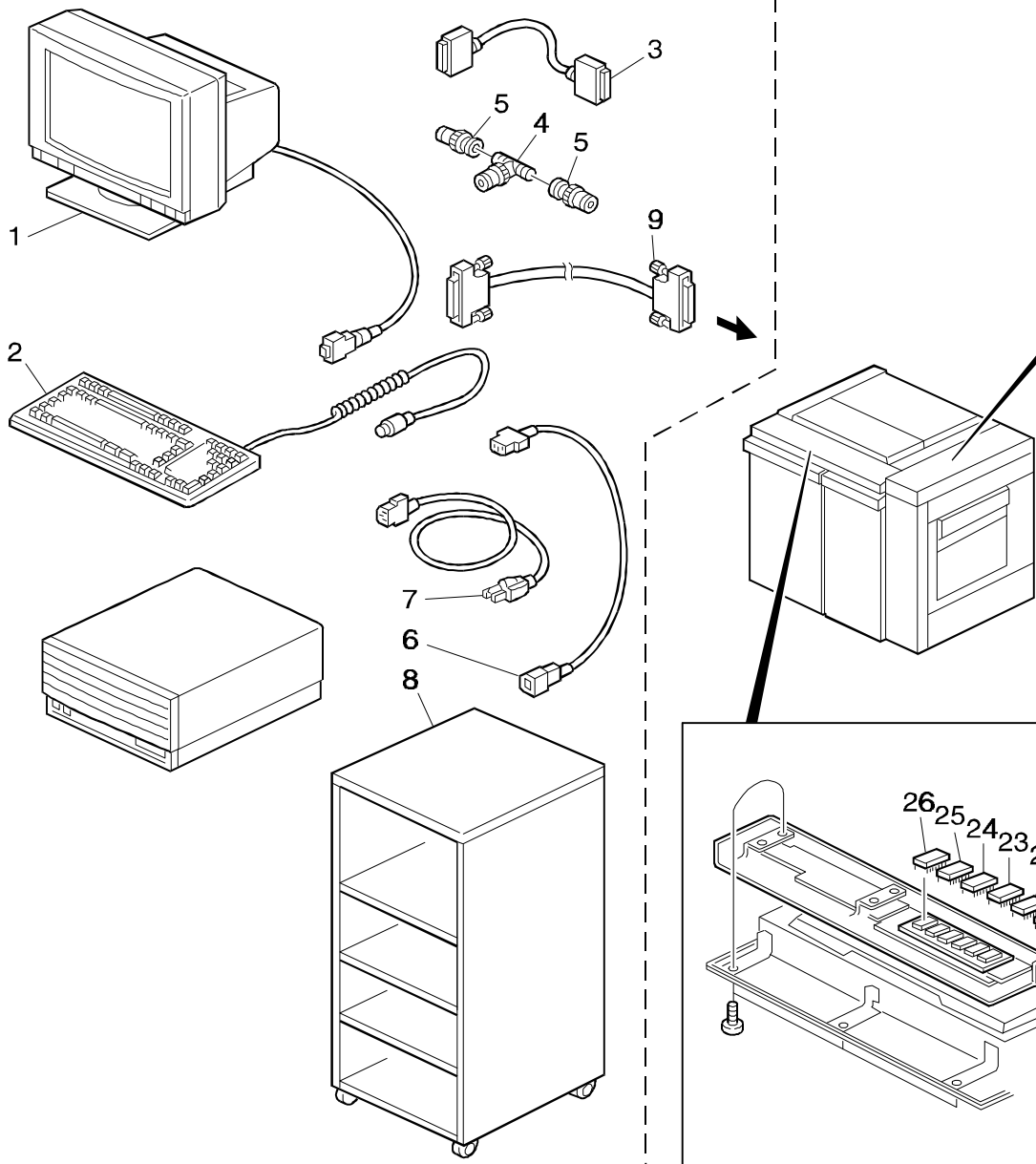
This chapter instructs you the numbers and names of parts on this machine and the kit.

### **INDEX to PARTS CATALOG**

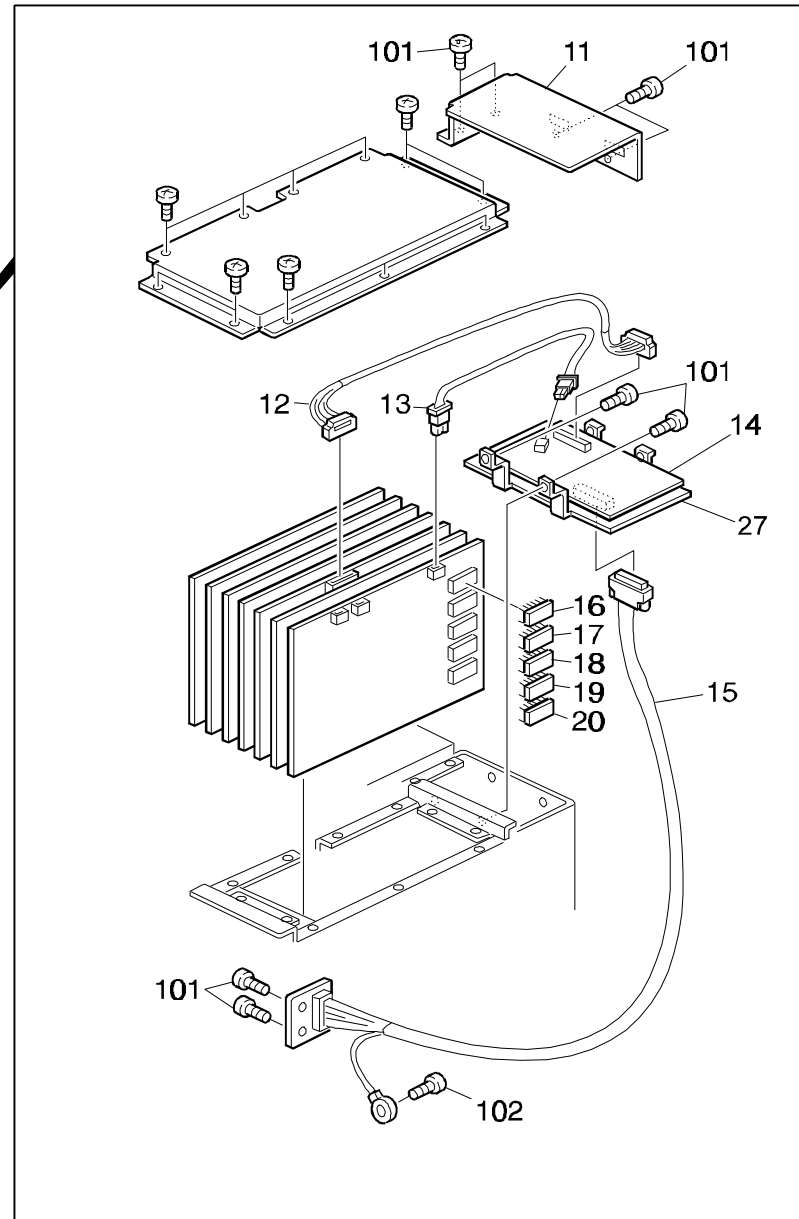
1.EXTERIOR AND INTERFACE KIT (A583/A724).....	2
2.EXTERIOT 2 (A583/A724).....	4
3.ELECTRICAL SECTION (A583/A724).....	6
4.CONTROLLER INTERFACE BOARD (A583) .....	8
5.ACCESSORIES (A583/A724).....	10
PARTS INDEX .....	13

# 1. EXTERIOR AND INTERFACE KIT (A583/A724)

[FIERY]



[INTERFACE KIT]

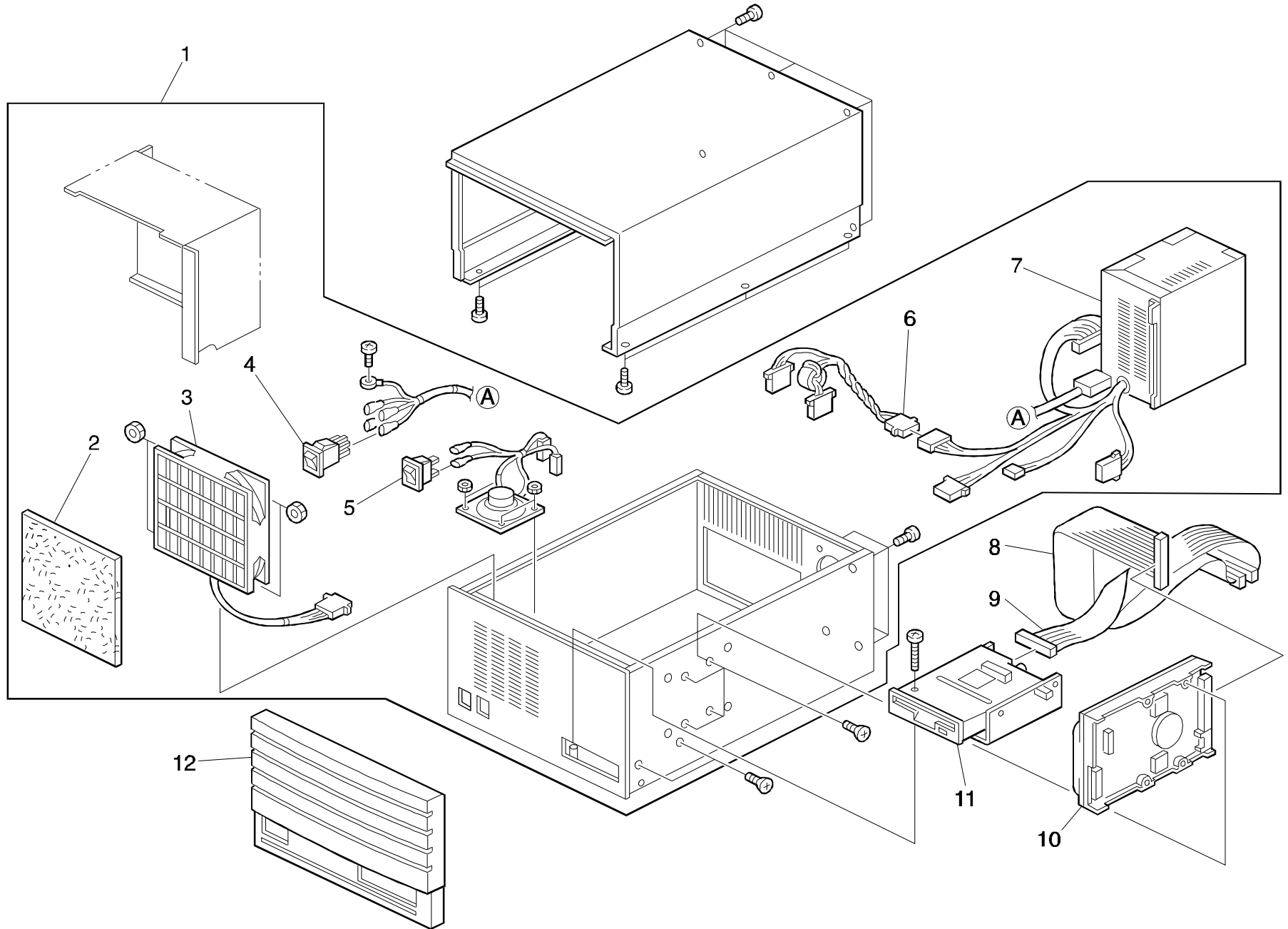


# 1. EXTERIOR AND INTERFACE KIT (A583/A724)

Index No.	Part No.	Description	Q'ty Per Assembly
1	A583 6002	Monitor - 14"VGA W/PCC cord	1
2	A583 6001	Keyboard	1
3	A583 6008	SCSI Cable	1
4	A583 6006	Ethernet T-connector	1
5	A583 6007	Ethernet Terminator	1
7	A583 6009	Power Supply Cord - USA	1
7	A583 6010	Power Supply Cord - Int'l	1
7	A583 6011	Power Supply Cord - UK	1
8	A583 6003	Furniture - Metal W/PKG	1
9	A583 6005	Video Interface Harness	1
11	A399 1103	Interface Board Cover	1
12	A399 6500	Infance Harness	1
13	A049 5631	Fiver Optics Cable	1
14	A399 7004	Controler Interface Board	1
15	A399 6501	Controler Interface Harness	1
16	A105 5532	IC - MBM27C1001-15	1
17	A105 5530	IC - 1MX8120SN	1
18	A105 5503	IC - 1MX8120SN	1
19	A105 5529	IC - 1MX8120SN	1
20	A105 5531	IC - 1MX8120SN	1
21	A105 5542	IC - 1MX8120SN (LT)	1
21	A105 5544	IC - 1MX8120SN (A4)	1
22	A105 5543	IC - 1MX8120SN (LT)	1
22	A105 5545	IC - 1MX8120SN (A4)	1
23	A105 5546	IC - 1MX8120SN	1
24	A105 5547	IC - 1MX8120SN	1
25	A105 5548	IC - 1MX8120SN	1
26	A105 5549	IC - 1MX8120SN	1
27	A399 1101	Controller Bracket	1

Index No.	Part No.	Description	Q'ty Per Assembly
101	0354 0060B	Screw - M4X6	
102	0950 4008B	Philips Screw With Spring Washer - M4x8	

## 2. EXTERIOT 2 (A583/A724)



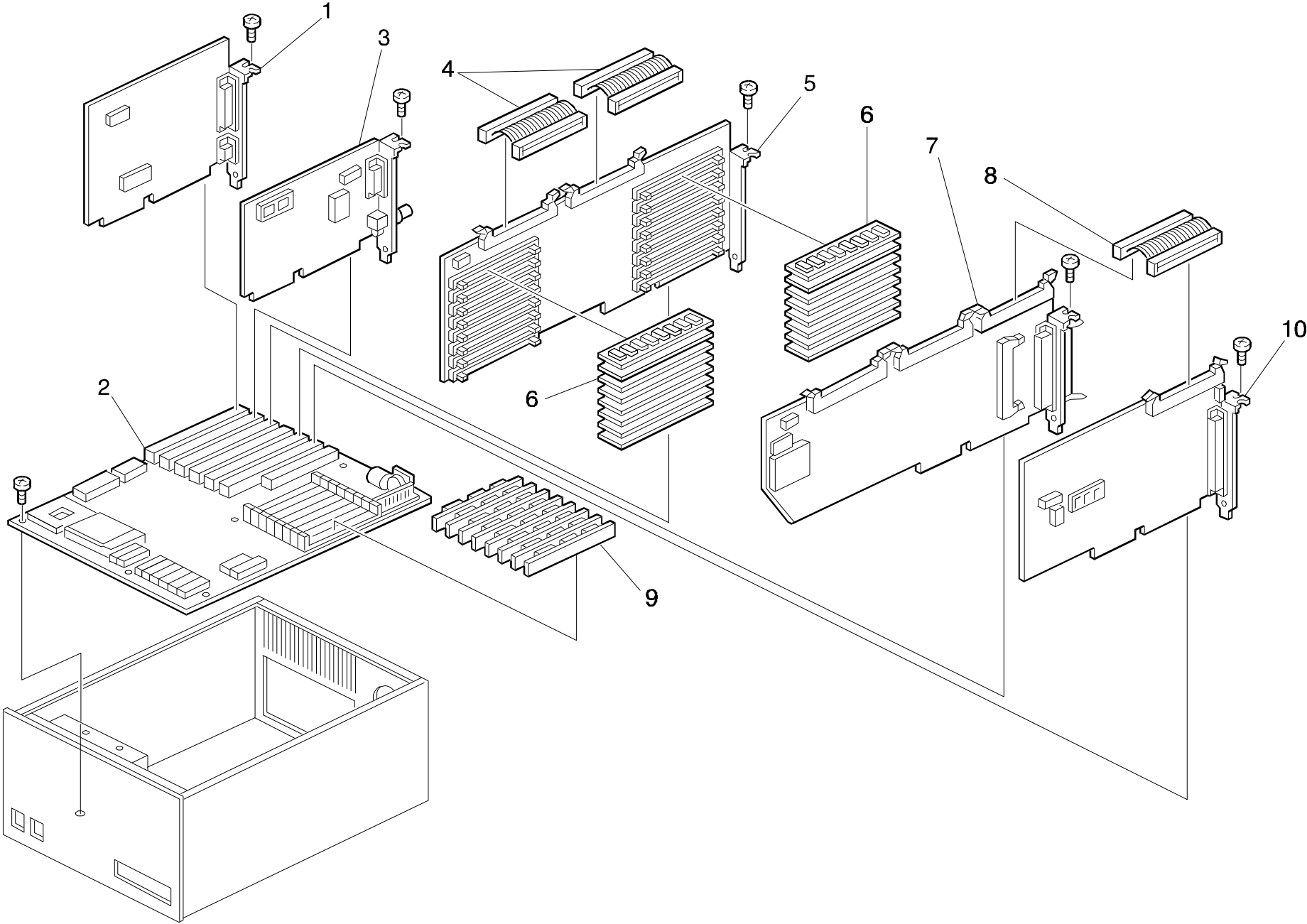
## 2. EXTERIOT 2 (A583/A724)

Index No.	Part No.	Description	Q'ty Per Assembly
1	A583 6004	Chassis - W/PSU&Fan	1
2	A583 6104	Fan Filters - 6 Pack	1
3	A583 6103	Intake Fan - 12V DC	1
4	A583 6133	Power Switch	1
5	A583 6134	Reset Switch	1
6	A583 6109	Power "Y" Harness	1
7	A583 6110	Power Supply Unit W/Filter	1
8	A583 6105	HDD Harness - 40pin	1
9	A583 6106	FDD Harness - 34pin	1
#10	A583 6122	250MB Hard Disk W/O S/W	1
#10	A583 6123	540MB Hard Disk W/O S/W (Option)	1
10	A583 6126	1GB Hard Disk - US (Option US Only)	1
11	A583 6015	1.44MB FDD - 3.5"	1
12	A583 6018	Front Bezel - 150i	1
12	A583 6019	Front Bezel - 150i Fra	1
12	A583 6124	Front Bezel - 200i (Option)	1
12	A583 6125	Front Bezel - 200i Fra (Option)	1
		# Objective part for RMA (Return Materials Authorization)	

Index No.	Part No.	Description	Q'ty Per Assembly



### 3. ELECTRICAL SECTION (A583/A724)



### 3. ELECTRICAL SECTION (A583/A724)

Index No.	Part No.	Description	Q'ty Per Assembly
1	A583 6017	ATI/VGA Board	1
# 2	A583 6101	Motherboard W/O SIMMs	1
3	A583 6016	Network Board - Etherlink	1
4	A583 6108	CPU/Memory Harness	2
# 5	A583 6013	Memory Baord W/O SIMMs	1
6	A583 6014	8MB SIMM - Memory Board	8(16)
# 7	A583 6012	CPU Board	1
8	A583 6107	CPU/Video Harness	1
9	A583 6102	256k SIMM - Motherboard	8
#10	A583 6054	Video Interface Board for 150i/200i	1
#10	<b>A724 5050</b>	<b>Video Interface Board for 200i-R1</b>	<b>1</b>
		# Objective part for RMA (Return Materials Authorization) <b>Bold : only for 200i-R1</b>	

Index No.	Part No.	Description	Q'ty Per Assembly

## 4. CONTROLLER INTERFACE BOARD (A583)

### Capacitor

SYMBOL No.	INDEX No.
C1	122
C2	123
C3	123
C4	123
C5	123
C6	123
C7	123
C8	123
C9	123
C10	123

SYMBOL No.	INDEX No.
C11	123
C12	123
C13	123
C14	123
C15	123
C16	123
C17	123
C18	123
C21	123
C24	123

SYMBOL No.	INDEX No.
C25	123
C26	123
C27	123
C28	123
C33	123
C34	123
C35	123
C36	123
C37	123
C41	123

SYMBOL No.	INDEX No.
C42	123
C43	123
C44	123
C46	123
C47	123
C48	123
C49	123
C51	123
C53	123
C54	123

SYMBOL No.	INDEX No.
C56	123
C57	123

### Connector

SYMBOL No.	INDEX No.
CN101	103
CN102	105
CN103	106

### Filter

SYMBOL No.	INDEX No.
FIL1	121

### IC

SYMBOL No.	INDEX No.
IC1	116
IC2	116
IC5	116
IC6	116
IC7	116
IC10	116
IC13	116
IC14	116
IC16	116

SYMBOL No.	INDEX No.
IC18	116
IC19	116
IC30	117
IC3	118
IC8	118
IC12	118
IC17	118
IC51	119
IC31	120
IC36	120

### L

SYMBOL No.	INDEX No.
IC38	120
IC42	120
IC43	120
IC45	120
IC48	120
IC53	120
IC56	120

SYMBOL No.	INDEX No.
L1	124
L2	124
L3	124
L4	124
L5	124
L6	124
L7	124
L8	124
L9	124
L10	124

SYMBOL No.	INDEX No.
L11	124
L12	124
L13	124
L14	124
L15	124
L16	124
L17	124
L18	124
L19	124
L20	124

SYMBOL No.	INDEX No.
L21	124
L22	124
L23	124
L24	124
L25	124
L26	124
L27	124
L28	124
L29	124
L30	124

SYMBOL No.	INDEX No.
L31	124
L32	124
L33	124
L34	124
L35	124
L36	124
L37	124
L38	124

Q

Resistor

SYMBOL No.	INDEX No.
Q1	107

SYMBOL No.	INDEX No.
R3	127
R56	127
R57	127
R58	127
R59	127
R60	127
R61	127
R62	127
R63	127
R72	127

SYMBOL No.	INDEX No.
R73	127
R74	127
R75	127
R76	127
R77	127
R78	127
R79	127
R80	127
R81	127
R82	127

SYMBOL No.	INDEX No.
R83	127
R84	127
R85	127
R86	127
R87	127
R96	127
R97	127
R98	127
R99	127
R100	127

SYMBOL No.	INDEX No.
R101	127
R102	127
R103	127
R128	127
R129	127
R130	127
R131	127
R136	127
R137	127
R138	127

SYMBOL No.	INDEX No.
R139	127
R140	127
R141	127
R142	127
R143	127
R144	127
R145	127
R146	127
R147	127
R156	127

SYMBOL No.	INDEX No.
R157	127
R158	127
R159	127
R160	127
R161	127
R162	127
R163	127
R164	127
R165	127
R166	127

Resistor

SYMBOL No.	INDEX No.
R167	127
R168	127
R169	127
R170	127
R171	127
R180	127
R181	127
R182	127
R183	127
R184	127

SYMBOL No.	INDEX No.
R185	127
R186	127
R187	127

TP

SYMBOL No.	INDEX No.
TP1	102
TP2	102
TP3	102
TP4	102
TP5	102
TP6	102
TP7	102
TP8	102
TP9	102
TP10	102

ZD

SYMBOL No.	INDEX No.
ZD1	108

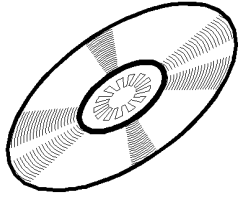
#### 4. CONTROLLER INTERFACE BOARD (A583)

Index No.	Part No.	Description	Q'ty Per Assembly
*	A3997004	Controler Interface Board	1

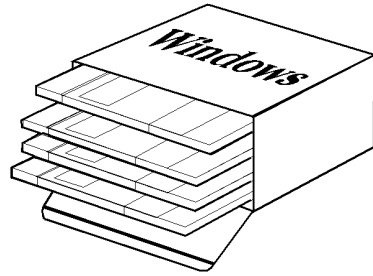
Index No.	Part No.	Description	Q'ty Per Assembly
101	08010143	Screw - M3.5x5	
102	11010429	Test Pin	
103	11024053	Optical Connector	
104	11025159	Heder - HIF6-100PA-1.27DSA	
105	11026429	Connector - DX20A-100S	
106	11030725	Connector - 3P	
107	14000325	Transistor - UN2212	
108	14020807	Thener Diode - RD6.2FB2	
109	14072127	TC - 74F00SJ	
110	14072129	IC - 74F04SJ	
111	14072130	IC - 74F08SJ	
112	14072135	TTLIC - 74F74SJ	
113	14072137	IC - 74F138SJ : TTL	
114	14072140	IC - 74F163ASJ	
115	14072142	TTLIC - 74F240SJ	
116	14072147	TTLIC - 74F374SJ	
117	14072896	IC - 74F113SJ	
118	14074091	IC - M66251AFP	
119	14074221	IC - MB571PF	
120	14074226	IC - MB570PF	
121	16027011	Capacitor - 270pF +-20% 50V	
122	16041367	Capacitor - 100μ +-2% 50V	
123	16061140	Capacitor - 0.1μ +80% -20%	
124	16070449	Ferrite Coer - BLM21B03	
125	16302102	Resistor - 1K Ω 1/8W	
126	16302222	Resistor - 2.2K Ω 1/8W	
127	16302331	Resistor - 330 Ω 1/8W +-5%	
128	16302681	Resistro - 680 Ω 1/8W +-5%	

## 5. ACCESSORIES (A583/A724)

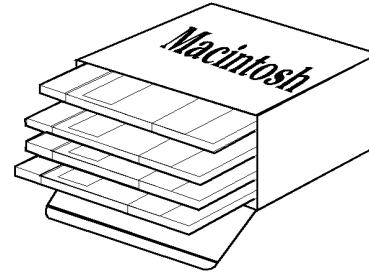
1



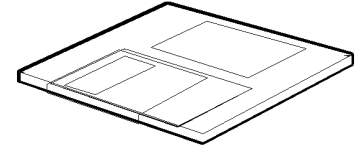
2



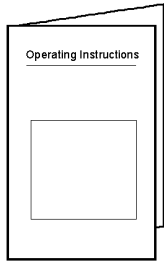
3



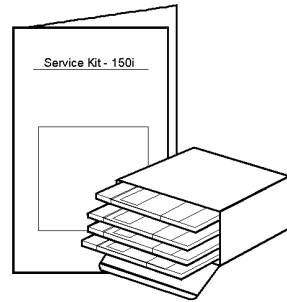
4



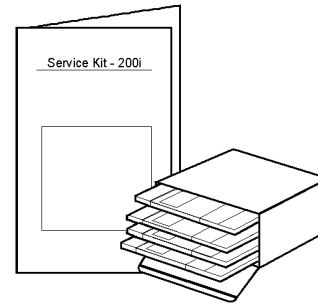
5



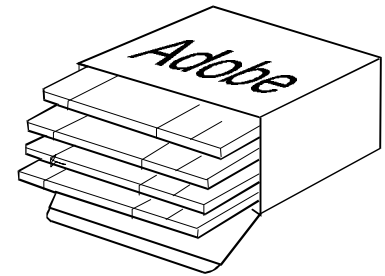
6



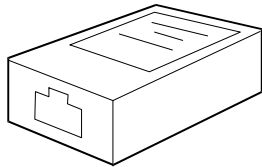
7



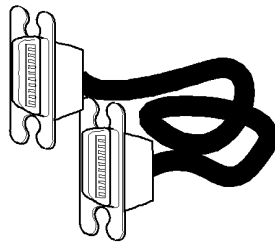
8



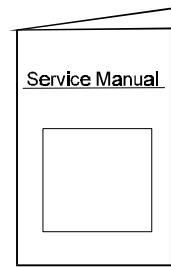
9



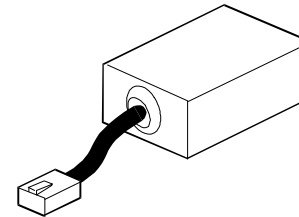
10



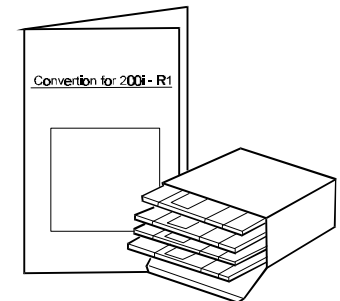
11



12



13



## 5. ACCESSORIES (A724)

Index No.	Part No.	Description	Q'ty Per Assembly
1	A583 6023	CD ROM - Color Solutions	
2	A583 6052	Windows Disk Pack	
<b>2</b>	<b>A724 5043</b>	<b>Windows Disk Pack for 200i-R1</b>	
3	A583 6053	Macintosh Disk Pack	
<b>3</b>	<b>A724 5044</b>	<b>Macintosh Disk Pack for 200i-R1</b>	
4	A583 6055	System Password Disk	
<b>4</b>	<b>A724 5042</b>	<b>System Password Disk for 200i-R1</b>	
5	A583 6111	Operating Instructions- E	
<b>5</b>	<b>A724 5041</b>	<b>Operating Instructions - E for 200i-R1</b>	
6	A583 6151	Service Kit - 150i	
7	A583 6152	Service Kit - 200i	
<b>7</b>	<b>A724 5051</b>	<b>Service Kit - 200i-R1</b>	
8	A583 6136	Adobe Drivers Kit	
9	A583 6127	10 Base T Transceiver	
10	A583 6132	Centronics Cable	
11	A583 6150	Service Manual - English	
12	A583 6135	External Battery Kit (Mother Board)	
<b>13</b>	<b>A724 5045</b>	<b>Conversion Disk Pack for 200i-R1</b>	
<p><b>Bold : only for 200i - R1</b></p>			

Index No.	Part No.	Description	Q'ty Per Assembly

# **PARTS INDEX**



Part No.	Description	Page and Index No.
A583 6001	Keyboard	3 - 2
A583 6002	Monitor - 14"VGA W/PCC cord	3 - 1
A583 6003	Furniture - Metal W/PKG	3 - 8
A583 6004	Chassis - W/PSU&Fan	5 - 1
A583 6005	Video Interface Harness	3 - 9
A583 6006	Ethernet T-connector	3 - 4
A583 6007	Ethernet Terminator	3 - 5
A583 6008	SCSI Cable	3 - 3
A583 6009	Power Supply Cord - USA	3 - 7
A583 6010	Power Supply Cord - Int'l	3 - 7
A583 6011	Power Supply Cord - UK	3 - 7
A583 6012	CPU Board	7 - #7
A583 6013	Memory Board W/O SIMMs	7 - #5
A583 6014	8MB SIMM - Memory Board	7 - 6
A583 6015	1.44MB FDD - 3.5	5 - 11
A583 6016	Network Board - Etherlink	7 - 3
A583 6017	ATI/VGA Board	7 - 1
A583 6018	Front Bezel - 150i	5 - 12
A583 6019	Front Bezel - 150i Fra	5 - 12
A583 6023	CD ROM - Color Solutions	11 - 1
A583 6052	Windows Disk Pack	11 - 2
A583 6054	Video Interface Board for 150i/200i	7 - #10
A583 6053	Macintosh Disk Pack	11 - 3
A583 6055	System Password Disk	11 - 4
A583 6101	Motherboard W/O SIMMs	7 - #2
A583 6102	256k SIMM - Motherboard	7 - 9
A583 6103	Intake Fan - 12V DC	5 - 3
A583 6104	Fan Filters - 6 Pack	5 - 2
A583 6105	HDD Harness - 40pin	5 - 8
A583 6106	FDD Harness - 34pin	5 - 9
A583 6107	CPU/Video Harness	7 - 8
A583 6108	CPU/Memory Harness	7 - 4
A583 6109	Power Y Harness	5 - 6
A583 6110	Power Supply Unit W/Filter	5 - 7
A583 6111	Operating Instructions- E	11 - 5

Part No.	Description	Page and Index No
A583 6122	250MB Hard Disk W/O S/W	5 - #10
A583 6123	540MB Hard Disk W/O S/W (Option)	5 - #10
A583 6124	Front Bezel - 200i (Option)	5 - 12
A583 6125	Front Bezel - 200i Fra (Option)	5 - 12
A583 6126	1GB Hard Disk - US (Option US Only)	5 - 10
A583 6127	10 Base T Transceiver	11 - 9
A583 6132	Centronics Cable	11 - 10
A583 6133	Power Switch	5 - 4
A583 6134	Reset Switch	5 - 5
A583 6135	External Battery Kit (Mother Board)	11 - 12
A583 6136	Adobe Drivers Kit	11 - 8
A583 6151	Service Kit - 150i	11 - 6
A583 6152	Service Kit - 200i	11 - 7
A583 6150	Service Manual - English	11 - 11

Part No.	Description	Page and Index No.
A049 5631	Fiver Optics Cable	3 - 13
A105 5503	IC - 1MX8120SN	3 - 18
A105 5529	IC - 1MX8120SN	3 - 19
A105 5530	IC - 1MX8120SN	3 - 17
A105 5531	IC - 1MX8120SN	3 - 20
A105 5532	IC - MBM27C1001-15	3 - 16
A105 5542	IC - 1MX8120SN (LT)	3 - 21
A105 5543	IC - 1MX8120SN (LT)	3 - 22
A105 5544	IC - 1MX8120SN (A4)	3 - 21
A105 5545	IC - 1MX8120SN (A4)	3 - 22
A105 5546	IC - 1MX8120SN	3 - 23
A105 5547	IC - 1MX8120SN	3 - 24
A105 5548	IC - 1MX8120SN	3 - 25
A105 5549	IC - 1MX8120SN	3 - 26
A399 1101	Controler Bracket	3 - 27
A399 1103	Interface Board Cover	3 - 11
A399 6500	Inface Harness	3 - 12
A399 6501	Controler Interface Harness	3 - 15
A399 7004	Controler Interface Board	3 - 14
A399 7004	Controler Interface Board	9 - *
A724 5041	Operating Instructions - E for 200i-R1	11 - 5
A724 5042	System Password Disk for 200i-R1	11 - 4
A724 5043	Windows Disk Pack for 200i-R1	11 - 2
A724 5044	Macintosh Disk Pack for 200i-R1	11 - 3
A724 5045	Conversion Disk Pack for 200i-R1	11 - 13
A724 5050	Video Interface Board	7 - #10
A724 5051	Service Kit - 200i-R1	11 - 7

Part No.	Description	Page and Index No
0354 0060B	Screw - M4X6	3 - 101
0801 0143	Screw - M3.5x5	9 - 101
0950 4008B	Philips Screw With Spring Washer - M4x8	3 - 102
1101 0429	Test Pin	9 - 102
1102 4053	Optical Connector	9 - 103
1102 5159	Heder - HIF6-100PA-1.27DSA	9 - 104
1102 6429	Connector - DX20A-100S	9 - 105
1103 0725	Connector - 3P	9 - 106
1400 0325	Transistor - UN2212	9 - 107
1402 0807	Thener Diode - RD6.2FB2	9 - 108
1407 2127	TC - 74F00SJ	9 - 109
1407 2129	IC - 74F04SJ	9 - 110
1407 2130	IC - 74F08SJ	9 - 111
1407 2135	TTLIC - 74F74SJ	9 - 112
1407 2137	IC - 74F138SJ : TTL	9 - 113
1407 2140	IC - 74F163ASJ	9 - 114
1407 2142	TTLIC - 74F240SJ	9 - 115
1407 2147	TTLIC - 74F374SJ	9 - 116
1407 2896	IC - 74F113SJ	9 - 117
1407 4091	IC - M66251AFP	9 - 118
1407 4221	IC - MB571PF	9 - 119
1407 4226	IC - MB570PF	9 - 120
1602 7011	Capacitor - 270pF +-20% 50V	9 - 121
1604 1367	Capacitor - 100μ +-2% 50V	9 - 122
1606 1140	Capacitor - 0.1μ +80% -20%	9 - 123
1607 0449	Ferrite Coer - BLM21B03	9 - 124
1630 2102	Resistor - 1K Ω 1/8W	9 - 125
1630 2222	Resistor - 2.2K Ω 1/8W	9 - 126
1630 2331	Resistor - 330 Ω 1/8W +-5%	9 - 127
1630 2681	Resistro - 680 Ω 1/8W +-5%	9 - 128

PRINTED IN JAPAN  
SS (英) 95 0510 0000 (S)